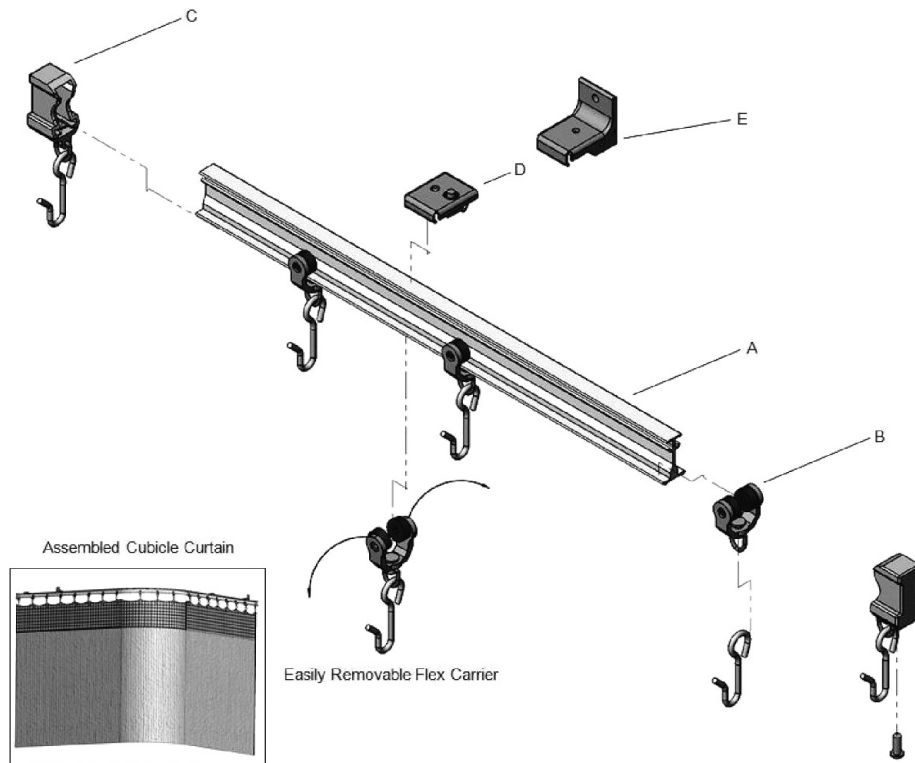


## FLEXIBLE TRACK & HARDWARE CUT SHEET

Flexible track requires bracket that is to be installed directly into the grid of a drop ceiling or via wall bracket.



### PARTS

- A. Cubicle Track – Steel and Resin Composite Materials
- B. Flex Carrier with nylon Wheels and 360 Degree Rotating Hook
- C. Track End Caps
- D. Ceiling Mount Installation Bracket
- E. Wall Mount Installation Bracket

### SYSTEM FEATURES

- Easy-to-bend and easy-to-clean track
- Steel and Resin Composite Materials inhibits the growth of bacteria, mold and mildew
- Carriers are self-lubricating with nylon wheels for extra smooth and quiet traversing
- Spring loaded installation brackets allow for simple and easy installation and removal of the track
- Track comes in custom sizes and various kits

Call **1-866-252-2568** and we can provide you with blackout curtains, track and hardware and roller shades to control your lighting applications.